

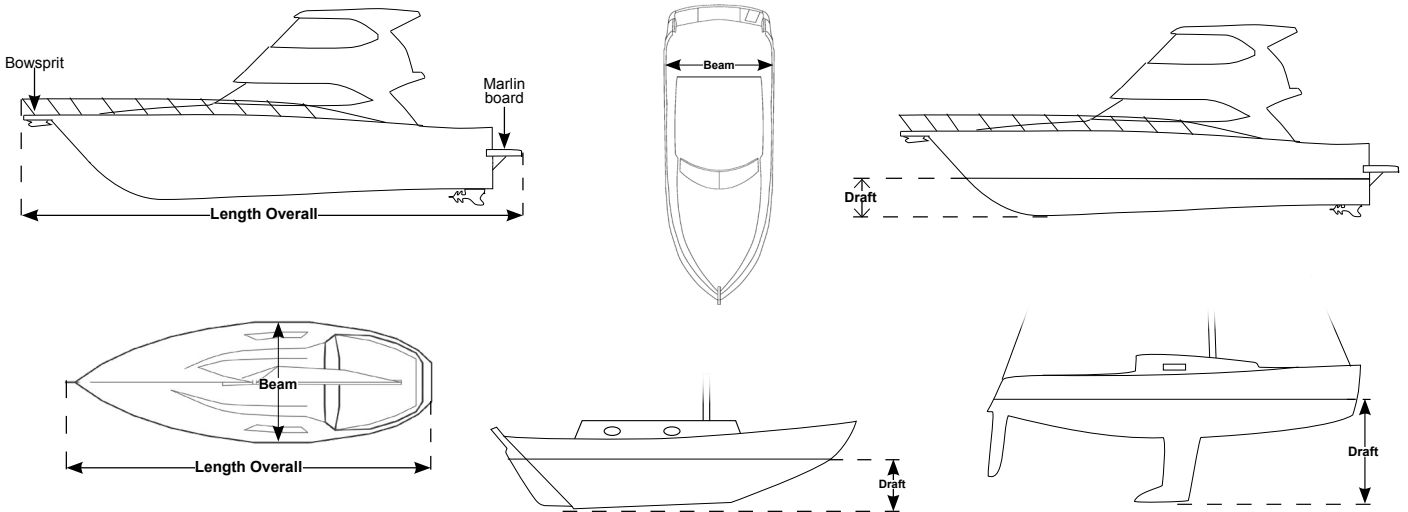
LIFTING DATA SHEET

Personal Details

FIRST NAME		SURNAME		MSHIP NO
PHONE NUMBER			EMAIL	

Vessel Details

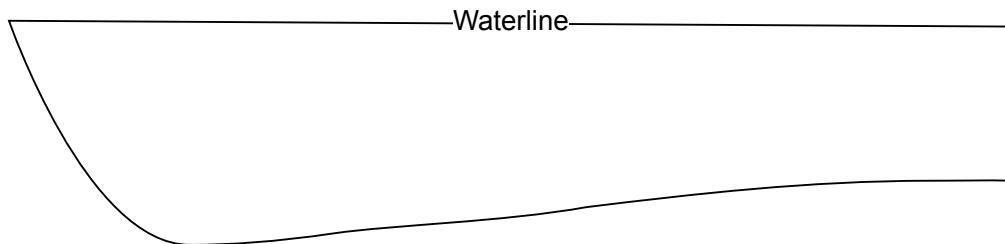
BOAT NAME			DOT REG NO:	
<input type="checkbox"/> POWER <input type="checkbox"/> SAIL	MAKE	MODEL		YR LAUNCHED
CURRENT LOCATION			DRY WEIGHT	
HULL CONSTRUCTION:		FUEL CAPACITY:	WATER CAPACITY:	



LENGTH OVERALL:	BEAM:	DRAFT:	WEIGHT
-----------------	-------	--------	--------

Underwater Fittings

Strainers, Transducers, Keel Profile



Notes on Lifting Characteristics

Booking Request

Preferred Date

1: _____

2: _____

3: _____

Work to be done

Estimated Duration

Signature _____

M'ship No: _____ Date: _____

Please return by 1 September 2017