

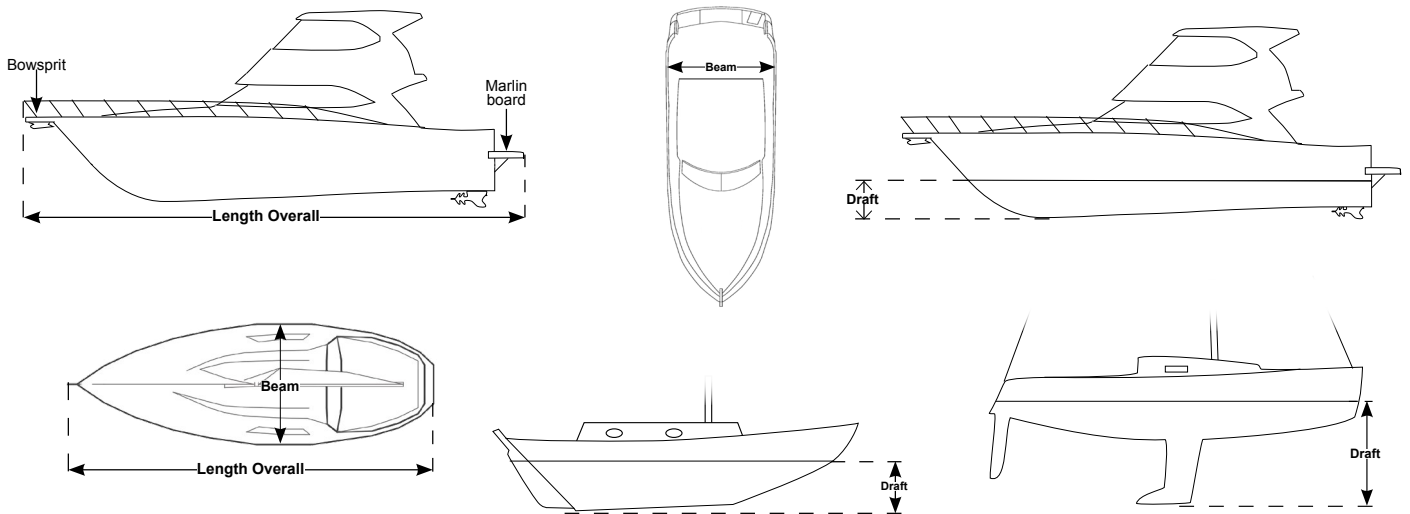
# LIFTING DATA SHEET

## Personal Details

FIRST NAME		SURNAME		MSHIP NO
PHONE NUMBER			EMAIL	

## Vessel Details

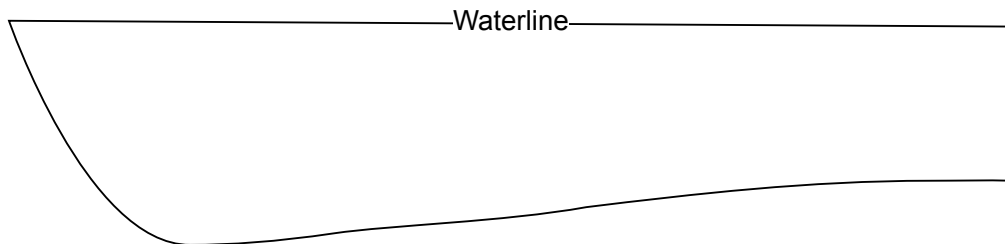
BOAT NAME			DOT REG NO:	
<input type="checkbox"/> POWER <input type="checkbox"/> SAIL	MAKE	MODEL		YR LAUNCHED
CURRENT LOCATION			DRY WEIGHT	
HULL CONSTRUCTION:		FUEL CAPACITY:	WATER CAPACITY:	



LENGTH OVERALL:	BEAM:	DRAFT:	WEIGHT
-----------------	-------	--------	--------

## Underwater Fittings

Strainers, Transducers, Keel Profile



## Notes on Lifting Characteristics

---

---

---

## Booking Request

### Preferred Date

1: \_\_\_\_\_

2: \_\_\_\_\_

3: \_\_\_\_\_

### Work to be done

---

---

---

### Estimated Duration

---

Signature \_\_\_\_\_

M'ship No: \_\_\_\_\_ Date: \_\_\_\_\_

Please return by 1 September 2017